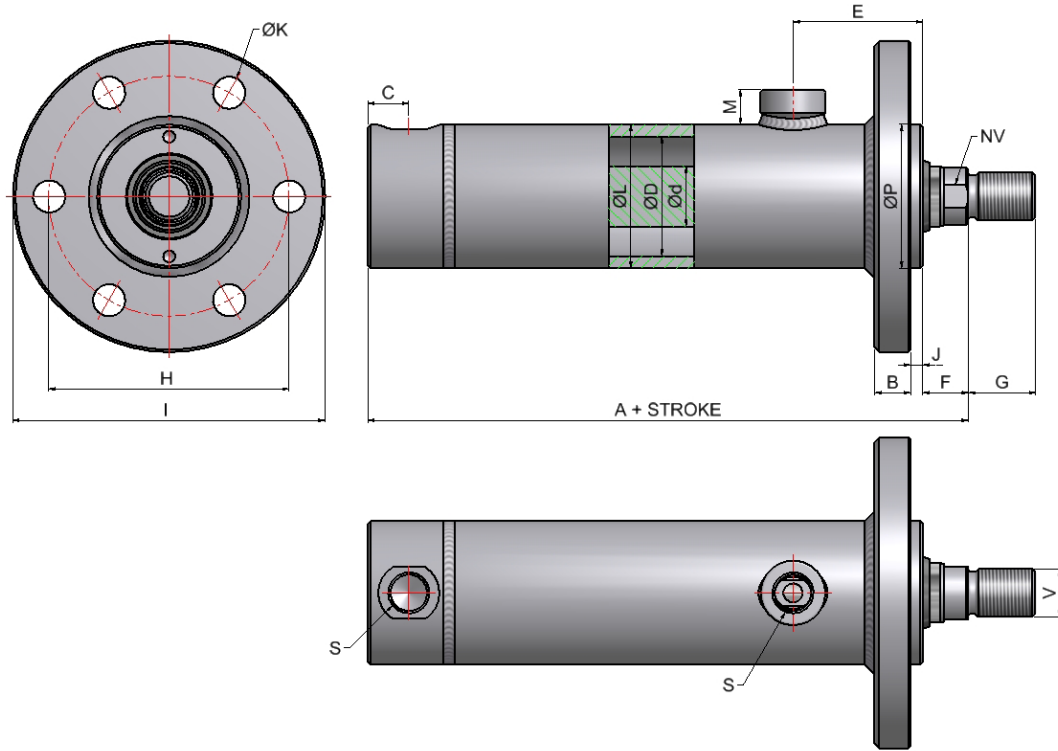


KS2-DVGF Cylinders

Front flange - threaded rod end



Specifications

| $\varnothing D$ | 50 | 63 | 80 | 90 | 100 | 110 | 125 | 140 | 160 | 180 | 200 | 220 | 250 |
|-----------------|----------|----------|----------|----------|--------|--------|--------|--------|--------|--------|---------|---------|---------|
| $\varnothing d$ | 25/32 | 32/40 | 40/50 | 45/56 | 50/63 | 56/70 | 63/80 | 70/90 | 80/100 | 90/110 | 100/125 | 100/140 | 110/160 |
| A | 149 | 160 | 177 | 195 | 216 | 232 | 241 | 238 | 286 | 292 | 306 | 368 | 388 |
| B | 15 | 15 | 20 | 25 | 25 | 30 | 30 | 30 | 40 | 40 | 45 | 50 | 55 |
| C | 15 | 18 | 18 | 20 | 22 | 23 | 25 | 21 | 28 | 26 | 27 | 40 | 35 |
| E | 54 | 54 | 62 | 67 | 77 | 82 | 85 | 103 | 114 | 122 | 122 | 135 | 158 |
| F | 19 | 27 | 28 | 39 | 46 | 47 | 44 | 29 | 47 | 37 | 47 | 53 | 39 |
| G | 28 | 36 | 45 | 45 | 56 | 56 | 63 | 75 | 85 | 85 | 85 | 106 | 112 |
| H | 100 | 115 | 155 | 165 | 190 | 200 | 215 | 235 | 275 | 300 | 330 | 375 | 420 |
| I | 130 | 145 | 195 | 205 | 230 | 240 | 255 | 275 | 330 | 355 | 390 | 440 | 505 |
| J | 5 | 5 | 5 | 5 | 12 | 12 | 10 | 15 | 20 | 20 | 20 | 20 | 25 |
| $\varnothing K$ | 6 x 13.5 | 6 x 13.5 | 6 x 17.5 | 6 x 17.5 | 6 x 22 | 6 x 22 | 8 x 22 | 8 x 22 | 8 x 26 | 8 x 26 | 8 x 33 | 8 x 33 | 8 x 39 |
| $\varnothing L$ | 60 | 73 | 95 | 105 | 120 | 130 | 145 | 165 | 185 | 210 | 230 | 254 | 298.5 |
| M | 14 | 14 | 18 | 18 | 18 | 18 | 18 | 18 | 22 | 22 | 22 | 22 | 22 |
| $\varnothing P$ | 60 | 73 | 90 | 100 | 115 | 125 | 145 | 165 | 185 | 210 | 230 | 250 | 298 |
| S | 3/8" | 3/8" | 1/2" | 1/2" | 3/4" | 3/4" | 3/4" | 3/4" | 1" | 1" | 1" | 1" | 1" |
| V | M20x1.5 | M27x2 | M33x2 | M33x2 | M42x2 | M42x2 | M48x2 | M56x2 | M64x3 | M64x3 | M72x3 | M90x3 | M100x3 |
| NV | 22/25 | 25/35 | 35/45 | 38/48 | 45/55 | 48/60 | 55/70 | 60/80 | 70/90 | 80/102 | 90/115 | 90/130 | 102/150 |

All measurements in millimetres (mm) unless otherwise quoted.