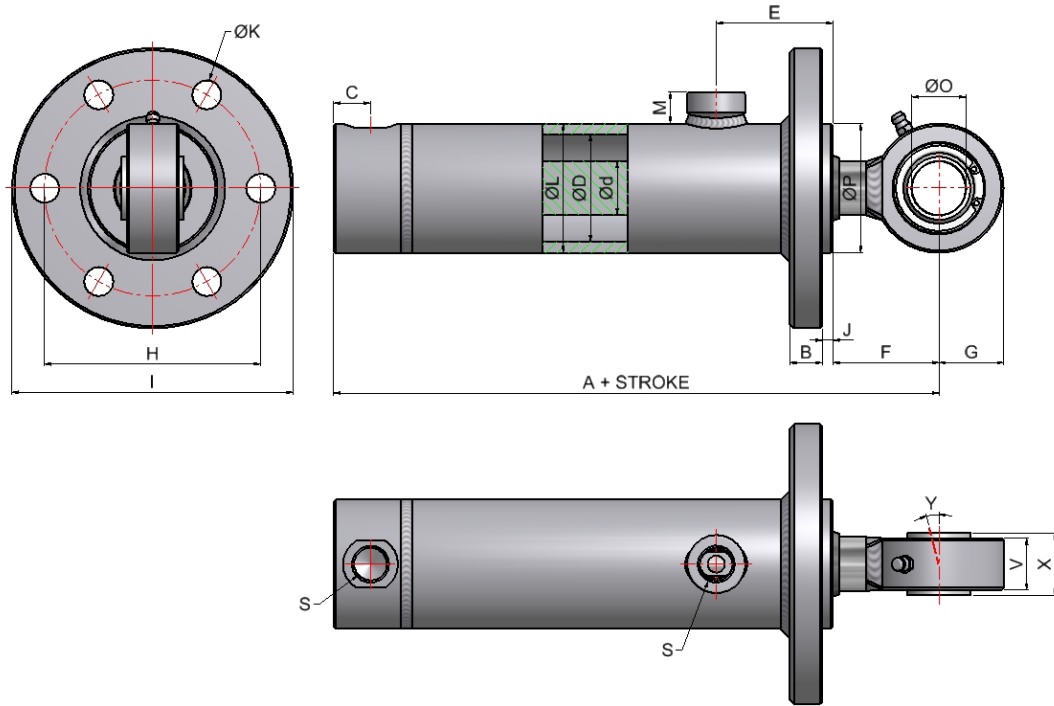


KS2-DVLF Cylinders

Front flange - spherical bearing rod end



Specifications

	50	63	80	90	100	110	125	140	160	180	200	220	250
ØD	50	63	80	90	100	110	125	140	160	180	200	220	250
Ød	25/32	32/40	40/50	45/56	50/63	56/70	63/80	70/90	80/100	90/110	100/125	100/140	110/160
A	179	195	217	245	269	287	306	311	366	375	396	480	515
B	15	15	20	25	25	30	30	30	40	40	45	50	55
C	15	18	18	20	22	23	25	21	28	26	27	40	35
E	54	54	62	67	77	82	85	103	114	122	122	135	158
F	49	62	68	89	99	102	109	102	127	120	137	165	166
G	30	35	40	50	55	55	65	80	85	85	90	120	130
H	100	115	155	165	190	200	215	235	275	300	330	375	420
I	130	145	195	205	230	240	255	275	330	355	390	440	505
J	5	5	5	5	12	12	10	15	20	20	20	20	25
ØK	6 x 13.5	6 x 13.5	6 x 17.5	6 x 17.5	6 x 22	6 x 22	8 x 22	8 x 22	8 x 26	8 x 26	8 x 33	8 x 33	8 x 39
ØL	60	73	95	105	120	130	145	165	185	210	230	254	298.5
M	14	14	18	18	18	18	18	18	22	22	22	22	22
ØO	25 (-0.01)	30 (-0.01)	35 (-0.012)	45 (-0.012)	50 (-0.012)	50 (-0.012)	60 (-0.015)	70 (-0.015)	80 (-0.015)	80 (-0.015)	90 (-0.02)	110 (-0.02)	120 (-0.02)
ØP	60	73	90	100	115	125	145	165	185	210	230	250	298
S	3/8"	3/8"	1/2"	1/2"	3/4"	3/4"	3/4"	3/4"	1"	1"	1"	1"	1"
V	24	28	32	38	40	40	50	60	70	70	80	80	90
X	29	30	35	40	43	43	54	65	74	74	60	70	85
Y	4°	4°	4°	4°	4°	4°	3°	4°	4°	4°	6°	8°	6°

All measurements in millimetres (mm) unless otherwise quoted.