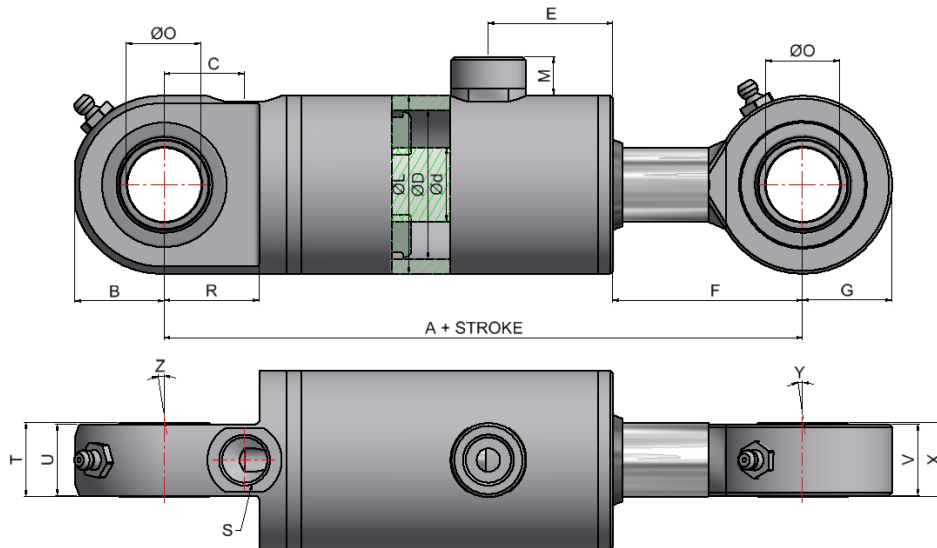


KS2-DVL Cylinders

Spherical bearing - both ends



Specifications

$\varnothing D$	50	63	80	90	100	110	125	140	160	180	200	220	250
$\varnothing d$	25/32	32/40	40/50	45/56	50/63	56/70	63/80	70/90	80/100	90/110	100/125	100/140	110/160
A	190	215	240	270	305	320	355	375	420	440	470	620	675
B	30	35	40	50	53	53	65	73	80	83	88	120	130
C	27	33	36	44	54	54	65	76	77	84	96	169	195
E	42	46	51	56	76	76	90	102	114	122	122	135	158
F	64	74	80	101	99	114	109	102	127	120	137	165	166
G	30	35	40	50	55	55	65	80	85	85	90	120	130
$\varnothing L$	60	73	95	105	120	130	145	165	185	210	230	250	298.5
M	14	14	19	19	19	19	19	19	22	22	22	22	22
$\varnothing O$	25 (-0.01)	30 (-0.01)	35 (-0.012)	45 (-0.012)	50 (-0.012)	50 (-0.012)	60 (-0.015)	70 (-0.015)	80 (-0.015)	80 (-0.015)	90 (-0.02)	110 (-0.02)	120 (-0.02)
R	32	40	45	50	63	63	71	80	90	90	100	140	160
S	3/8"	3/8"	1/2"	1/2"	3/4"	3/4"	3/4"	3/4"	1"	1"	1"	1"	1"
T	29	30	35	40	43	43	54	65	74	74	60	70	85
U	24	28	32	38	40	40	50	60	70	70	80	80	90
V	24	28	32	38	40	40	50	60	70	70	80	80	90
X	29	30	35	40	43	43	54	65	74	74	60	70	85
Y	4°	4°	4°	4°	4°	4°	4°	4°	4°	4°	4°	4°	6°
Z	4°	4°	4°	4°	4°	4°	4°	4°	4°	4°	4°	4°	6°

All measurements in millimetres (mm) unless otherwise quoted.