

Hydrostatic Pressure Testing

Test facilities and services



Features and benefits

- Up to 1,400 bar pressure testing
- High capacity pressure vessels
- Overhead crane facilities
- Computer controlled testing
- Bespoke test programmes and pressure cycles
- Real time electrical and optical measurements
- Lid penetrators available
- Detailed test reports
- Testing performed by certified technicians

Options

- Live video monitoring

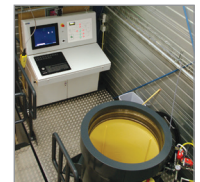
MacArtney offers worldwide access to cutting-edge hydrostatic pressure test facilities and services.

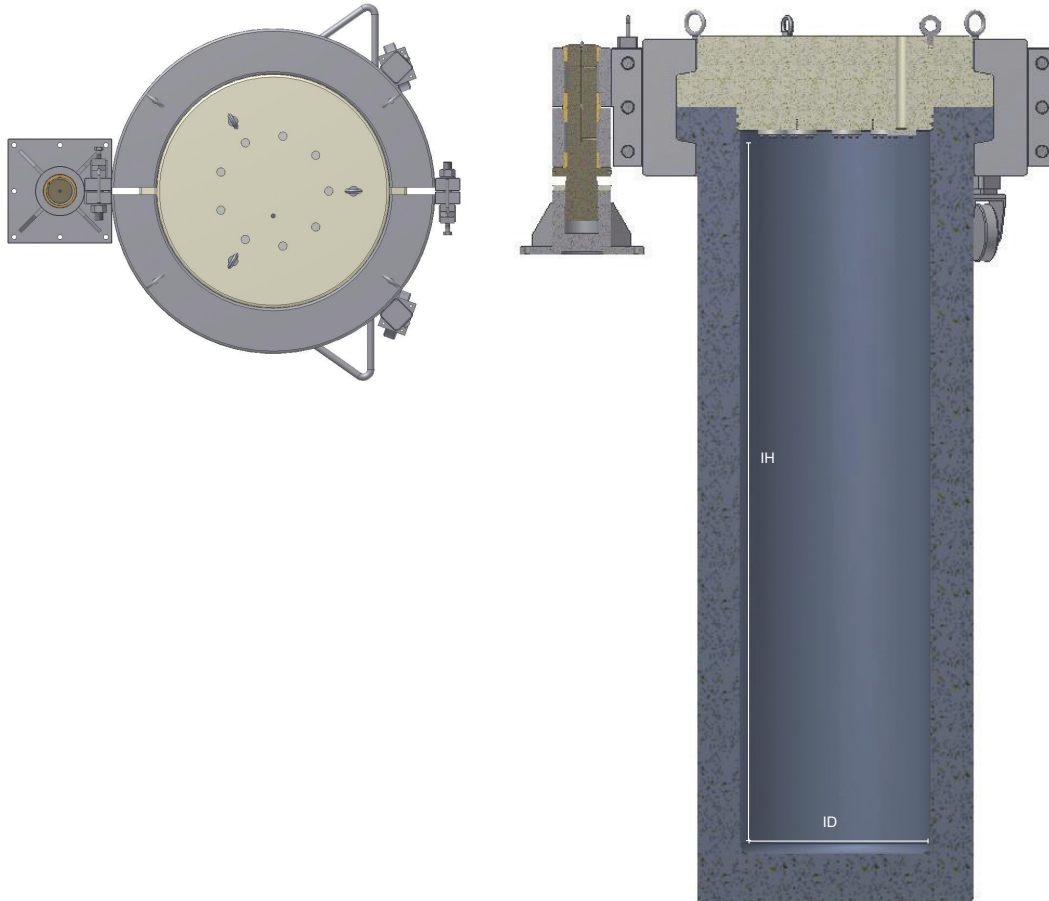
Empowered by our own purpose built pressure vessels, which are operated by highly trained and certified workshop technicians, we are able to put almost any type of underwater equipment to the test.

With a pressure capacity of up to 1,400 bar, MacArtney pressure vessels can simulate the hydrostatic operating conditions at up to 14,000 metres of ocean depth.

1,400 bar equivalent to 14,000 m water depth, adding 30% safety factor to absolute max water depth. In further support of simulating realistic subsea operating conditions and generating accurate results, the entire testing process can be computer controlled - with electric and optical measurements carried out in real-time. Meanwhile, our in-house developed control software allows customised test programmes and repeated pressure cycling to be carried out. Offering a safe link to the tested equipment, dedicated penetrators are integrated into the pressure vessel lids. Moreover, most of our test facilities are fitted with a powerful overhead crane, which allows for testing large and unwieldy equipment. Finally, several of our pressure vessels feature live video monitoring.

All pressure test facilities are available for rent on an hourly or daily basis - complete with the assistance of certified MacArtney technicians. Full test reports can be provided in the form of a printed graph or as data log.





Hydrostatic
pressure testing

Specifications

Pressure vessel location	Max pressure	Internal diameter (ID)	Internal height (IH)	Pressure medium	Test temperature	Crane facilities
Denmark - Esbjerg	700 bar	650 mm	2,400 mm	Freshwater	Approx. 20°C	10,000 kg
Denmark - Esbjerg	650 bar	305 mm	2,100 mm	Freshwater	Approx. 20°C	10,000 kg
Denmark - Esbjerg	1400 bar	390 mm	1,400 mm	Freshwater	Approx. 20°C	10,000 kg
UK - Aberdeen	600 bar	600 mm	1,500 mm	Freshwater	Approx. 20°C	2,000 kg
Norway - Stavanger	300 bar	450 mm	1,000 mm	Freshwater	Approx. 20°C	1,000 kg
France - Aix-en-Provence	600 bar	650 mm	1,100 mm	Freshwater	Approx. 20°C	4,000 kg
Holland - Rotterdam	100 bar	850 mm	1,300 mm	Freshwater	Approx. 20°C	1,000 kg
Holland - Rotterdam	800 bar	225 mm	1,500 mm	Freshwater	Approx. 20°C	1,000 kg
Germany - Kiel	100 bar	310 mm	500 mm	Freshwater	Approx. 20°C	315 kg
Germany - Kiel	30 bar	285 mm	500 mm	Freshwater	Approx. 20°C	315 kg
USA - Houston	70 bar	292 mm	406 mm	Freshwater	Approx. 23°C	315 kg